

LZ series 2-wire Bluetooth type ultrasonic level sensor is a general purpose product that replaces float, conductance and pressure sensors that fail due to contact with dirty, sticky and scaling liquids in small, medium and large capacity tanks. The sensor can be powered by a 24VDC external power source and power supply waterproof cable provided. The sensor provides continuous level measurement up to 3m with a 4–20mA signal output, RS-485 (LZR) or Bluetooth (LZB) digital output. Users can set parameters and read the data via the smart phones. It is ideal product for corrosive liquids, chemical or process tank level measure.



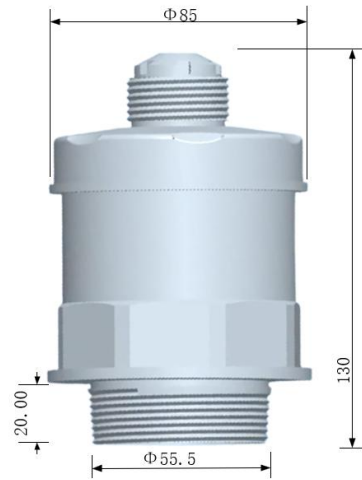
Applications:

The ultrasonic level transmitter can be used for liquid and solid level measurement in storage tank, chute, metering box, pools, tanks, well, ditch, moving objects and so on.

Features:

- ◆ Low blind area 3cm, measuring range as 3m.
- ◆ Excellent anti-interference capability;
- ◆ Set parameters and read the data via Bluetooth Mobile Phone or RS485 modbus.
- ◆ Small beam Angle 6°(3db), suitable for narrow space applications.
- ◆ With the smart signal processing technology to ensure the accuracy and stability
- ◆ Protect class IP68 and strong corrosion resistance to meet the abominable environment.
- ◆ With great over-voltage and over-current protection and excellent anti-interference capability.

Dimensions



Technical Parameter

Power supply	DC24V (±10%) ,30mA
Range	3m
Blind	0.03m
Accuracy	0.2% of full span (in air,Static level, standard signal strength)
Output	DC4~20mA(Bluetooth) or RS485 Modbus
Output resolution:	0.03% of the actual span
Temp. range	-35℃~+75℃
Temp. compensation	Full range automatic
Sample frequency	1.5 second
Pressure range	-0.1~+0.2MP (Relative atmospheric pressure)
Measure cycle	1.5 second (changeable)
Beam angle	6°(3db) for all range
Material	PP
Cable length	10m standard (contact us for more length cable)
Protection class	IP68
Connection	Screw or Flange