

### WM9100 Series Ultrasonic Water Meter DN350-DN600

#### Product Description

WM9100 Series Bulk Ultrasonic Water Meter is used for measuring, storage and display water flow.

Nominal Diameter: DN350-DN600



#### Product Features

- ◆ Full Bore Design, Without Pressure Loss.
- ◆ Wide Range.
- ◆ The Integrated Design Of Flow, Pressure, Wireless Reading Meets Monitoring Pipeline Requirement.
- ◆ Configured With Remote Data Collector, Remotely Connect To Smart Metering Platform.
- ◆ IP68 Protection Class, To Ensure Long Term Underwater Working.
- ◆ Low Consumption Design, Double D Size Batteries Can Continuously Work For 15 Years.
- ◆ Bi-directional Measuring Forward And Reverse Flow.
- ◆ Data Storage Function Can Save 10 Years' Data Including Day, Month And Year.
- ◆ 9 Digits Multi-line LCD Display.Can Display Cumulative Flow, Instantaneous Flow, Flow, Pressure, Temperature, Error Alarm, Flow Direction etc. At The Same Time.
- ◆ Standard RS485 (Modbus) And OCT Pulse, A Variety Of Options, NB-IoT, GPRS, etc.
- ◆ Stainless Steel 304 Pipe Which Is Tensile Molding Patent, Electrophoresis With Anti-scaling.
- ◆ According To Sanitary Standard For Drinking Water.

## Technical Parameter

Max. Working Pressure	1.6Mpa
Temperature Class	T30, T50, T70, T90 (Default T30)
Accuracy Class	ISO4064, Accuracy Class 2
Body Material	Stainless Steel 304 (opt.SS316L)
Battery Life	15 Years (Consumption≤0.3mW)
Protection Class	IP68
Environmental Temperature	40℃~+70℃, ≤100%RH
Pressure Loss	△P10
Climatic And Mechanical Environment	Class O
Electromagnetic Class	E2
Communication	RS485 (baud rate is adjustable);Pulse, Opt. NB-IoT, GPRS
Display	9 digits multi-line LCD display. Can display cumulative flow, instantaneous flow, flow rate, pressure, temperature, error alarm, flow direction etc. at the same time
RS485	Default baud rate 9600bps (opt.2400bps,4800bps), Modbus-RTU
Connection	Flanges according to EN1092-1 (others customized)
Flow Profile Sensitivity Class	U5/D3
Data Storage	Store the data, including day, month, and year for 10 years.The data can be permanently saved even powered off
Frequency	1-4 times/second

**Measuring Range (R500)**

Nominal Size	(mm)	350	400	500	600
	(inch)	14	16	20	24
Overload Flow Q4 (m3/h)		2000	3125	5000	7875
Permanent Flow Q3 (m3/h)		1600	2500	4000	6300
Transitional Flow Q2 (m3/h)		5.12	8.00	12.80	20.16
Minimum Flow Q1 (m3/h)		3.20	5.00	8.00	12.60
R= Q3/Q1		500			
Q2/Q1		1.6			

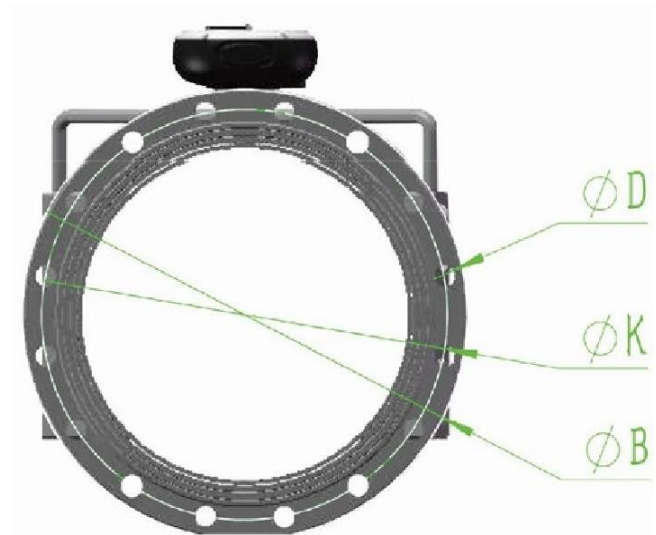
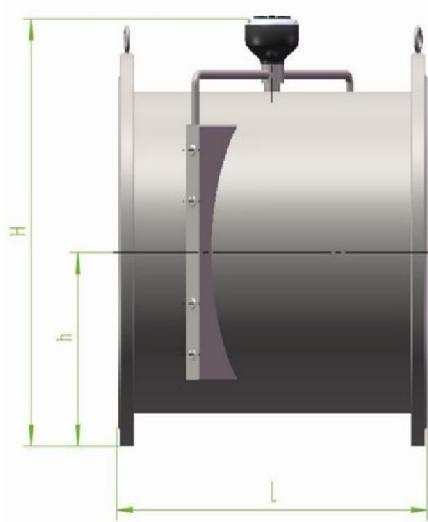
**Measuring Range (R400)**

Nominal Size	(mm)	350	400	500	600
	(inch)	14	16	20	24
Overload Flow Q4 (m3/h)		2000	3125	5000	7875
Permanent Flow Q3 (m3/h)		1600	2500	4000	6300
Transitional Flow Q2 (m3/h)		6.40	10.00	16.00	25.20
Minimum Flow Q1 (m3/h)		4.00	6.25	10.00	15.75
R= Q3/Q1		315			
Q2/Q1		1.6			

**Measuring Range (R250)**

Nominal Size	(mm)	350	400	500	600
	(inch)	14	16	20	24
Overload Flow Q4 (m3/h)		2000	3125	5000	7875
Permanent Flow Q3 (m3/h)		1600	2500	4000	6300
Transitional Flow Q2 (m3/h)		10.24	16.00	25.60	40.32
Minimum Flow Q1 (m3/h)		6.40	10.00	16.00	25.20
R= Q3/Q1		250			
Q2/Q1		1.6			

### Dimension & Weight



Nominal Size	(mm)	350	400	500	600
	(inch)	14	16	20	24
L-Length (mm)		500	600	600	800
B-Width (mm)		505	565	670	780
H-Height (mm)		593	648	743	853
h-height (mm)		245	275	328	378
D x n		22 x 16	26 x 16	26 x 20	30 x 20
K (mm)		460	515	620	725
Pressure (MPa)		1.0	1.0	1.0	1.0
Weight (kg)		112	138	169	220

Remarks: Other length of pipe can be customized.

### Configuration Code

<b>WM9100</b>	<b>WM9100 Ultrasonic Water Meter</b>	
	<b>Pipe size</b>	
	350	DN350
	400	DN400
	...	...
	600	DN600
	<b>Type</b>	
	A4	Full Bore Four-Channel (U5/D3)
	<b>Power Supply</b>	
	1	Battery
	2	24VDC + Battery
	<b>Body Material</b>	
	S	Stainless steel 304 (Standard)
	H	Stainless steel 316
	<b>Pressure</b>	
	1	0.6Mpa
	2	1.0Mpa
	3	1.6Mpa
	4	2.5Mpa
	O	Others
	<b>Connection</b>	
	F	Flange
	<b>Turn-down Ratio</b>	
	1	R500
	2	R400
	3	R250
	<b>Output</b>	
	R	RS485 + OCT Pulse (Standard)
	O	Others
	<b>Optional Function</b>	
	N	None
	1	Pressure Measurement
	2	Built-in Remote Reading Function
	3	Both ( 1 and 2 )

#### **WM9100-400-A4-1-S-2-F-3-R-1 (example configuration)**

Description: WM9100 Ultrasonic Water Meter, pipe size DN400, A4 Full bore four-channel water meter (U5/D3), battery power supply, stainless steel 304, pressure 1.0Mpa, flange connection, R250, RS485 output, with pressure measurement function.

**Lanry** Lanry Instruments (Shanghai) Co.,Ltd /6 Floor, Block F,Bldg 5,

No.2800 Jiuxin Rd., Songjiang District, Shanghai 201612,China

Tel: 86 21-67801665,67618991 Fax: 86 21-67801625

<http://www.lanry-flow.com> info@lanry-flow.com